



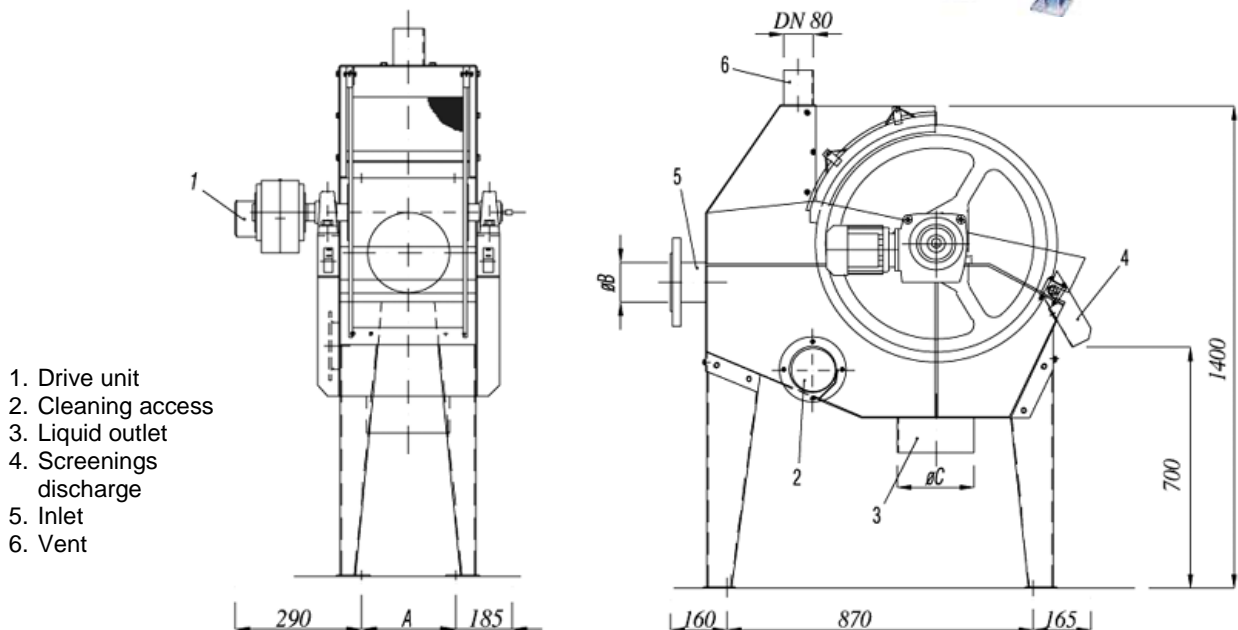
The wedge wire Drum Screen (TS) is a pre-treatment fine screen of simple robust construction with few moving parts. Manufactured completely in stainless steel, the width of the screen ranges from 300 mm to 1800 mm. The screen is available with slot widths from 0.25 - 1.5 mm. Capacities up to 180 litres per second.

Applications

- Domestic waste water
- Industrial waste water
- Food processing
- Abattoirs

Design features

- Wedge wire drum
- Non turbulent in-flow
- Internal self-cleaning design
- Stainless steel construction
- Optional water-jet flushing system



1. Drive unit
2. Cleaning access
3. Liquid outlet
4. Screenings discharge
5. Inlet
6. Vent

Operation

Wastewater is passed through the sieve inlets of the rotary drum screen. Screenings, which are larger than the screen slots, will be blocked and removed by the scraper blade to a container. The influent will then pass through the sieve and out through the bottom. Particles which are not removed by the scraper blade will be washed away by the filtered water from the wire sieve. This creates an efficient internal self-cleaning system.

Optional

A water-jet spray system can be installed when frequent cleaning is required. It can be fitted with a solenoid valve for easy control.

Type	Screen Dimensions (mm)		
	A	B	C
TS 63	250	DN 100	DN 200
TS 66	554	DN 150	DN 250
TS 612	1139	DN 250	DN 350
TS 618	1882	DN 300	DN 400