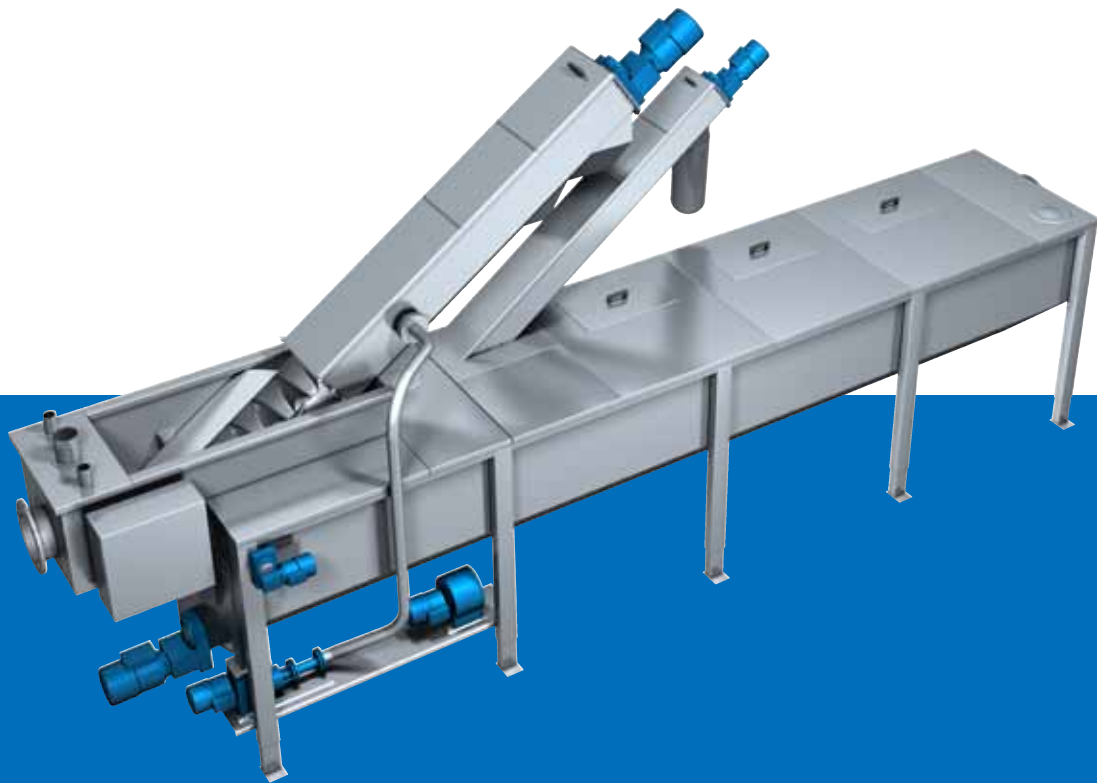




# Compact Units

Optimal Treatment  
of Screenings and Grit



**ConPact** Compact Unit

# ConPact - Compact Units

## Optimal Treatment of Screenings and Grit

For a number of years, Conpura has been the pioneers in the field of compact systems for pre-treatment of water containing sand and grit. The programme is called ConPact and is one of our most popular items for smaller treatment plants and industries.

ConPact is a completely sealed plug-and-play unit, available in two types, A and B, with capacities ranging from 10 l/s up to 200 l/s. The design of the units is customized. The ConPact units which are manufactured entirely of stainless steel contains removal, washing, dewatering of screenings and sand. Further more, ConPact B contains grease removal.

### ConPact A

ConPact A is designed to reduce 85-90 % of sand particles larger than 0,16 mm in diameter at design flow or 85 % of sand larger than 0.2 mm in diameter at maximum flow. ConPact A contains handling of screenings by a ConSieve (conveyor screen) alternatively ConStep (fine screen) depending on the amount of incoming water. The unit also contains grit chamber.

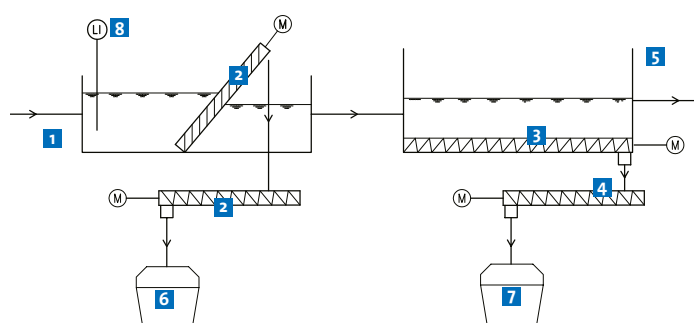
#### Function

Sedimentated sand is transported via a screw conveyor in the bottom of the ConPact unit to an inclined sand screw which dewateres and transports the sand out from the ConPact unit. The screw mentioned may optionally be provided with a flushing to reduce the organic content in the sand.

#### Benefits of ConPact A:

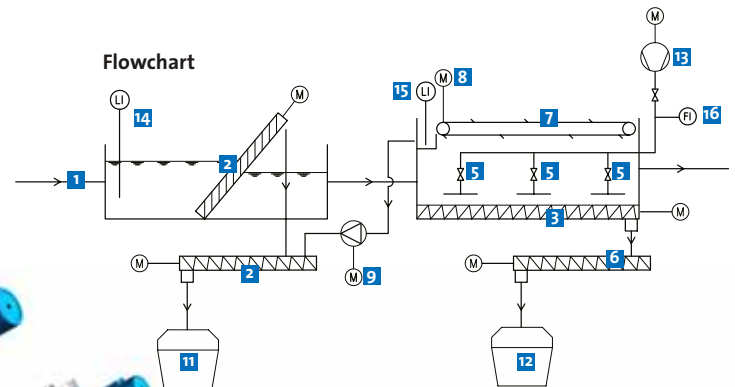
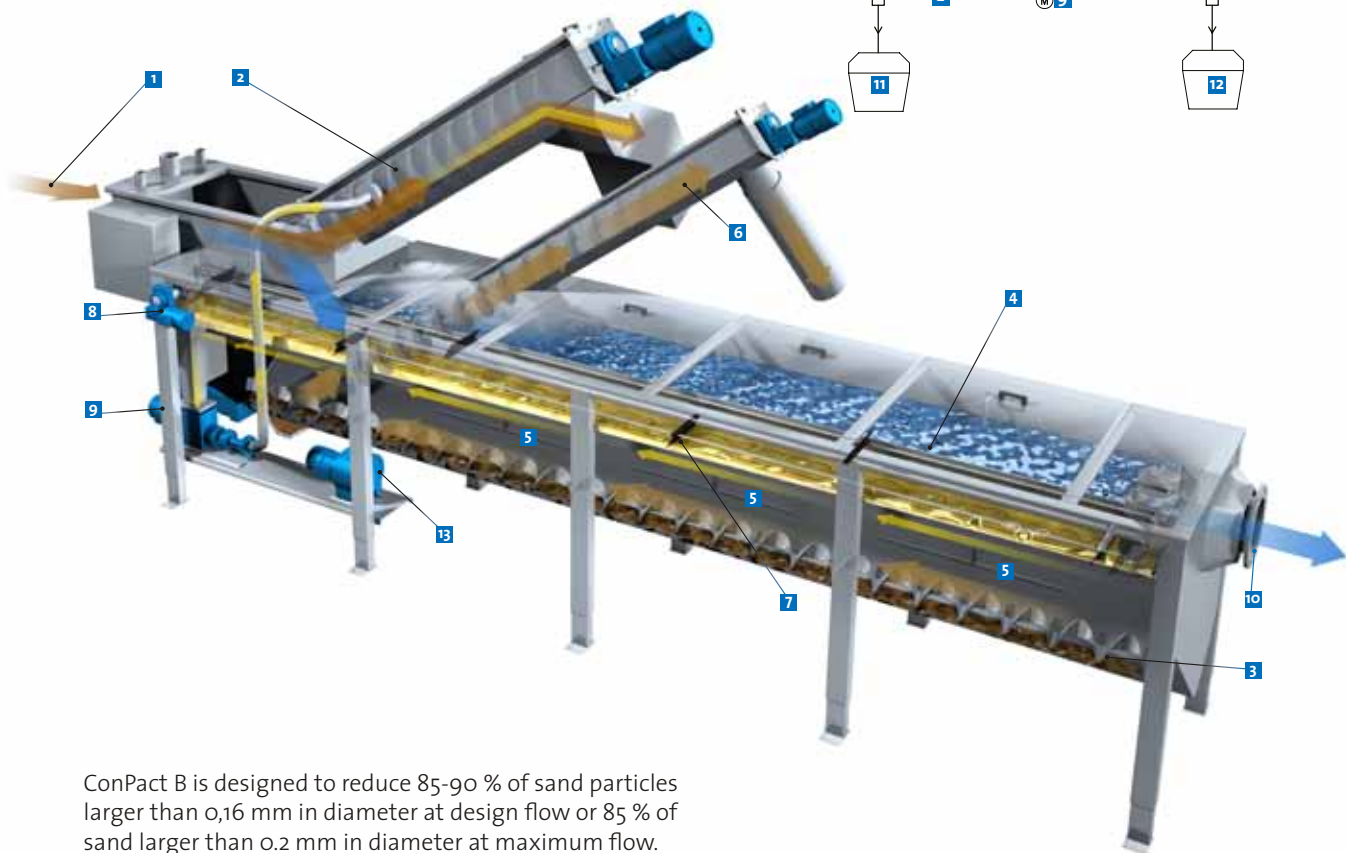
- Customized solution
- Easy to install and take into operation
- Low investment cost
- Low operating costs

#### Flowchart



1. Inlet
2. ConSieve conveyor screen  
alt. ConStep fine screen
3. Grit chamber with screw conveyor
4. Sand conveyor
5. Outlet
6. Grit container
7. Sand container
8. Level transmitter for start of the screening equipment

## ConPact B



ConPact B is designed to reduce 85-90 % of sand particles larger than 0,16 mm in diameter at design flow or 85 % of sand larger than 0.2 mm in diameter at maximum flow. ConPact B contains handling of screenings by a ConSieve (conveyor screen) alternatively ConStep (fine screen) depending on the amount of incoming water. The unit has also an efficient grease removal system of aerated grit chamber and a chain driven scraper for grease removal.

### Function

Sedimentated sand is transported via a screw conveyor in the bottom of the ConPact unit to an inclined sand screw which dewater and transports the sand out from the ConPact unit. The screw mentioned may optionally be provided with a flushing to reduce the organic content in the sand.

Aeration and grease scraper enables efficient capture of grease. The grease is pumped to ConSieve (Conveyor Screen) alternative ConStep (Fine Screen) from where the grease is transported along with the screenings to a container.

- |   |  |
|---|--|
| 1. Inlet  | 10. Outlet   |
| 2. ConSieve conveyor screen alternative ConStep fine screen | 11. Screening container                                    |
| 3. Grit chamber screw conveyor                              | 12. Sand container   |
| 4. Partition wall   | 13. Blower   |
| 5. Aeration pipes   | 14. Level transmitter for the start of screening equipment |
| 6. Sand Screw   | 15. Level sensor for the start of the grease pump          |
| 7. Grease Scraper with scraper blade                        | 16. Flowmeter for air                                      |
| 8. Drive unit grease scraper                                |  |
| 9. Grease pump  |  |

### Benefits of ConPact B:

- Customized solution
- Easy to install and take into operation
- Low investment cost
- Low operating costs
- Grease separation of aerated grit chambers

The ConPact units solely consist of products included in Conpuras product line. All components are designed by Conpura which secures the quality in the manufacturing process as well as the function of the product. The following products are included in Conpura's ConPact units;

## ConSieve Conveyor Screen

The ConSieve conveyor screw screen is a compact and economic screen for the separation, dewatering, and transport of screenings. The conveyor screw screen is specifically designed for the flow of the plant, separation requirements, and outlet height. Also, for ease of maintenance and cleaning, U-troughs with removable covers are included.



### Benefits of ConSieve:

- Compact construction with cost-saving design
- Screw Conveyor which is adapted to the current flow
- Loading height is adaptable to current conditions
- Excellent service access
- Integrated dewatering unit
- Low operating costs

## ConStep Fine Screen

The ConStep is a step screen designed to separate particles in wastewater. The ConStep is most commonly installed at sewage treatment plants and pumping stations. It is manufactured of stainless steel and is fully enclosed.



### Benefits of ConStep:

- The screen's large, open area gives high capacity per unit area and a low head loss
- Self-cleaning screen; no spray water or brush necessary
- Can be installed in smaller plants and in stainless steel tanks
- Low operating costs and low maintenance

## ConVey Screw Conveyor

Ever since the company started, Conpura has had shaftless conveyors in the line of products. Conveyors have in many cases been additional equipment to the other products in the product line. This means that the conveyors always are tailored and designed for the application they shall work in.

The shaftless conveyors are accepted as the leading method for transporting solid materials such as screening, grit, sludge, etc. The conveyor is a closed unit, which also makes it safe and quiet in a clean environment.

### Benefits of ConVey:

- The shaftless performance has the best qualifications to carry difficult materials
- Minimal risk of clogging due to the shaftless spiral
- The closed system gives from the environmental point of view a good handling in terms of odour and safety.

In our offices in Mönsterås and Lund you will find the tradition and knowledge. In cooperation with customers and suppliers, we concentrate on design and product development of mechanical products in the waste water area.

The project's nature and extent determines who is our closest partner. In the projects we work with contractors, end users or consultants with whom we have an open dialogue to provide mutual success.

We export more than 80% of what we produce. A strong global network of knowledgeable representatives with local ties is our bridge to the world. Together we try to fulfill our common vision and ideals.

Since 1972 when the company started, the concept has so far given us more than 5,000 references to clients in more than 40 countries worldwide.



#### ADDRESS:

Conpura AB, Bagargatan 4, SE 384 92 Ålem  
Sweden

TELEPHONE: +46 (0)499-108 40

FAX: +46 (0)499-140 20

E-MAIL: info@conpura.se

HOME PAGE: www.conpura.com